



ISO9001:2000

HOSE VALVE

FIRE PROTECTION PRODUCTS



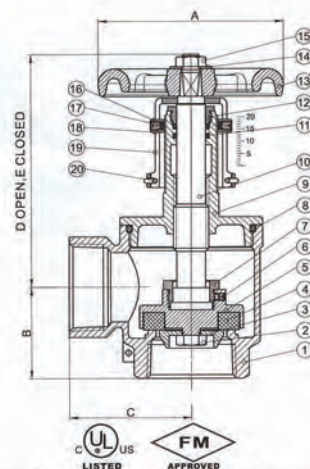
Thread:
2 1/2" FNPT x MNST
MBCT
MONT
MPHX
MQST
MCLV
MTEM

NYFD
1 1/2" FNPT x MNST
MNPSH

HC-101(DWG.J281)
ANGLE HOSE VALVE
300lb. RATED
Used with a Fire Hose Rack Assembly
Or as a Fire Dept. outlet connection
FEMALE x MALE

Standard equipment:
Female NPT inlet x male hose thread
Outlet cast brass valve
Red hand wheel.

Optional Finishes:
PB-Polished Brass
RC-Rough Chrome Plated
PC-Polished Chrome Plated



	A	B	C	D	E
1 1/2"x1 1/2"	100	50	66	127.5	153
2 1/2"x2 1/2"	125	68	83	162	206

NO	DESCRIPTION	MATERIALS	NO	DESCRIPTION	MATERIALS
1	BODY	ASTM B283 C37700	9	BONNET	ASTM B283 C37700
2	WHEEL NUT	ASTM B283 C37700	10	STEM	ASTM B283 C37700
3	WASHER	SS304	11	LOCK NUT	ASTM B283 C37700
4	SEAT SEAL	NBR	12	ORING	NBR
5	HOLDER	ASTM B283 C37700	13	HANDLE WHEEL	DUCTILE IRON
6	SET SCREW	SS304	14	WHEEL WASHER	SS304
7	LOCK NUT	ASTM B283 C37700	15	WHEEL NUT	ASTM B283 C37700
8	ORING	NBR			

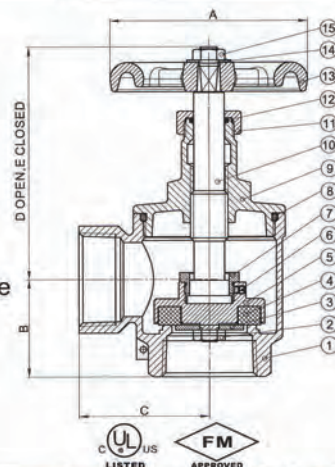


2 1/2" FNPT x FNPT
1 1/2" FNPT x FNPT

HC-102(DWG.J281)
ANGLE HOSE VALVE
300lb. RATED
Used with a Fire Hose Rack Assembly
Or as a Fire Dept. outlet connection
DOUBLE FEMALE

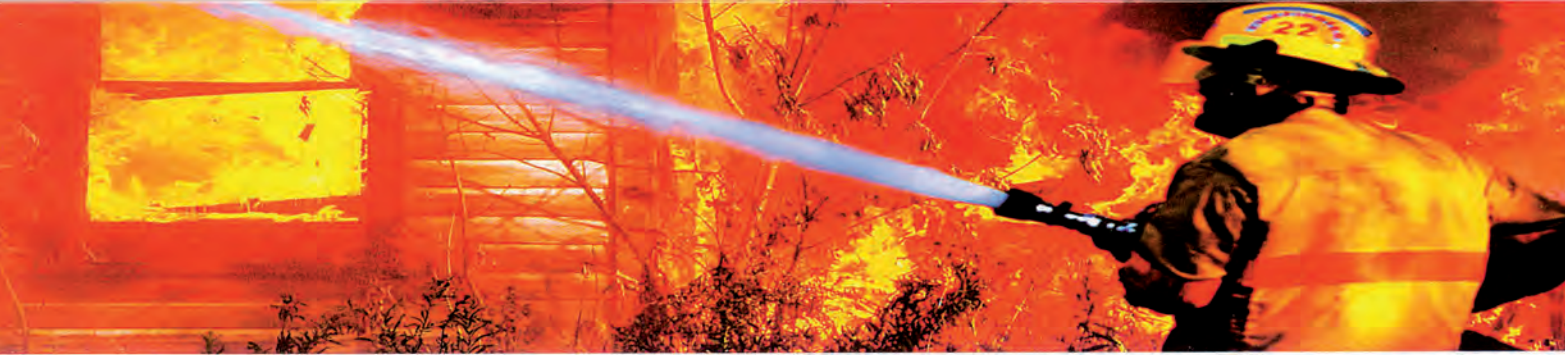
Standard equipment:
Female NPT inlet and outlet forge brass valve
Outlet cast brass valve
Red hand wheel.

Optional Finishes:
PB-Polished Brass
RC-Rough Chrome Plated
PC-Polished Chrome Plated



	A	B	C	D	E
1 1/2"x1 1/2"	100	50	66	119.5	145
2 1/2"x2 1/2"	125	68	83	157	200

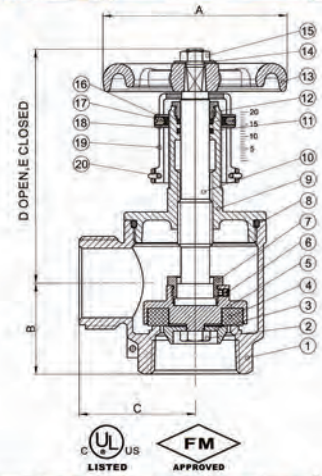
NO	DESCRIPTION	MATERIALS	NO	DESCRIPTION	MATERIALS
1	BODY	ASTM B283 C37700	9	BONNET	ASTM B283 C37700
2	WHEEL NUT	ASTM B283 C37700	10	STEM	ASTM B283 C37700
3	WASHER	SS304	11	LOCK NUT	ASTM B283 C37700
4	SEAT SEAL	NBR	12	ORING	NBR
5	HOLDER	ASTM B283 C37700	13	HANDLE WHEEL	DUCTILE IRON
6	SET SCREW	SS304	14	WHEEL WASHER	SS304
7	LOCK NUT	ASTM B283 C37700	15	WHEEL NUT	ASTM B283 C37700
8	ORING	NBR			



HC-103(DWG.J282)
 Pressure Reducing Device Angle Valve
 175 Lb. Rated Adjustable restriction of
 residual pressure up to 175 lb. Locking
 pin device restricts full opening of valve
 by untrained personnel, pin may be
 removed by firefighters to allow full
 opening of valve.
 FEMALE x MALE

Standard equipment:
 Female NPT inlet x male hose thread
 outlet forged brass valve Red hand wheel

Optional Finishes:
 PB-Polished Brass
 RC-Rough Chrome Plated
 PC-Polished Chrome Plated



	A	B	C	D	E
1½"x1½"	100	50	63	127.5	153
2½"x2½"	125	68	79	162	206

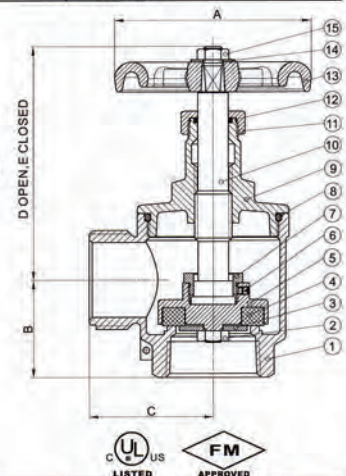
NO	DESCRIPTION	MATERIALS	NO	DESCRIPTION	MATERIALS
1	BODY	ASTM B283 C37700	11	LOCK NUT	ASTM B283 C37700
2	WHEEL NUT	ASTM B283 C37700	12	ORING	NBR
3	WASHER	SS304	13	HANDLE WHEEL	DUCTILE IRON
4	SEAT SEAL	NBR	14	WHEEL WASHER	SS304
5	HOLDER	ASTM B283 C37700	15	WHEEL NUT	ASTM B283 C37700
6	SET SCREW	SS304	16	COLLAR	ASTM B283 C37700
7	LOCK NUT	ASTM B283 C37700	17	WASHER	PA6
8	ORING	NBR	18	SET SCREW	ASTM B283 C37700
9	BONNET	ASTM B283 C37700	19	SET NUMBERS	ASTM B283 C37700
10	STEM	ASTM B283 C37700	20	WIRE	SS304



HC-104(DWG.J282)
 Pressure Reducing Device Angle Valve 175 Lb.
 Rated Adjustable restriction of residual pressure
 up to 175 lb. Locking pin device restricts full
 opening of valve by untrained personnel, pin may
 be removed by firefighters to allow full opening
 of valve.

DOUBLE FEMALE
 Standard equipment:
 Female NPT inlet and outlet forged brass valve
 Red hand wheel

Optional Finishes:
 PB-Polished Brass
 RC-Rough Chrome Plated
 PC-Polished Chrome Plated



	A	B	C	D	E
1½"x1½"	100	50	63	119.5	145
2½"x2½"	125	68	79	157	200

NO	DESCRIPTION	MATERIALS	NO	DESCRIPTION	MATERIALS
1	BODY	ASTM B283 C37700	11	LOCK NUT	ASTM B283 C37700
2	WHEEL NUT	ASTM B283 C37700	12	ORING	NBR
3	WASHER	SS304	13	HANDLE WHEEL	DUCTILE IRON
4	SEAT SEAL	NBR	14	WHEEL WASHER	SS304
5	HOLDER	ASTM B283 C37700	15	WHEEL NUT	ASTM B283 C37700
6	SET SCREW	SS304	16	COLLAR	ASTM B283 C37700
7	LOCK NUT	ASTM B283 C37700	17	WASHER	PA6
8	ORING	NBR	18	SET SCREW	ASTM B283 C37700
9	BONNET	ASTM B283 C37700	19	SET NUMBERS	ASTM B283 C37700
10	STEM	ASTM B283 C37700	20	WIRE	SS304



ISO9001:2000

FIRE HYDRANT LANDING VALVE

FIRE PROTECTION PRODUCTS



HC-105
Fire Hydrant Landing Valve
size:
2-1/2"



HC-106
Fire Hydrant Landing Valve
(QLD) -BSP Inlet W/CAP
size:
2-1/2"



HC-107
Fire Hydrant Landing Valve
(QLD) -RG Inlet W/CAP
size:
2-1/2"



HC-108
Fire Mill Cock Valve Storz
(VIC) -VIC Inlet W/CAP
size:
2-1/2" e



HC-109
Fire Hydrant Landing Valve
(SA) -RG Inlet W/CAP
size:
2-1/2"



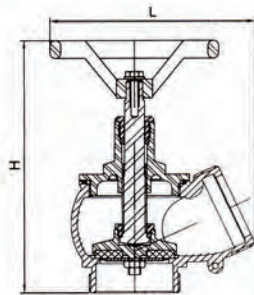
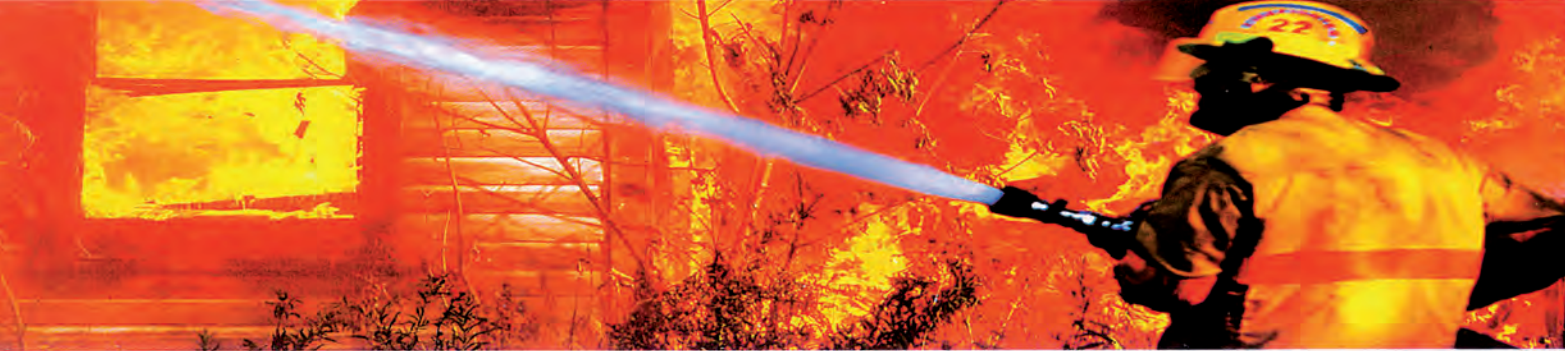
HC-110
Fire Hydrant Landing Valve
size:
2-1/2"



HC-111
Fire Mill Cock Valve CFA
(QLD) -VIC Inlet W/CAP
size:
2-1/2"



HC-112
Fire Hydrant Landing Valve
size:
2-1/2"

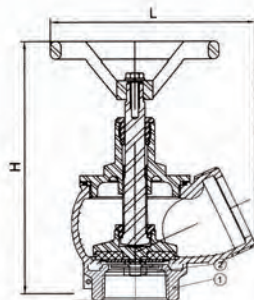


HC-113

Thread Fire Hydrant Valve

- 1. Body : Copper Alloy
- Handwheel : Grey Cast Iron or Aluminum
- 2. Inlet thread connection Std: (G , Rc , Rp) BSP , BSPT, NPT
- Outlet thread connection Std: (G , Rc , Rp) BSP , BSPT, NPT, NST
- 3. Pressure Test: 24 bar
- 4. Manufacture and certified to DIN14461-3

DN	SIZE	L	H
DN25	1"	75	105
DN40	1 1/2"	110	130
DN50	2"	135	170
DN65	2 1/2"	150	180

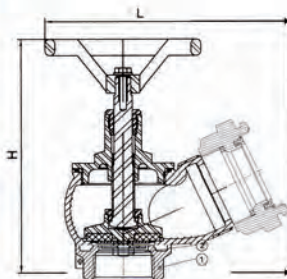


HC-114

Thread Fire Hydrant Valve

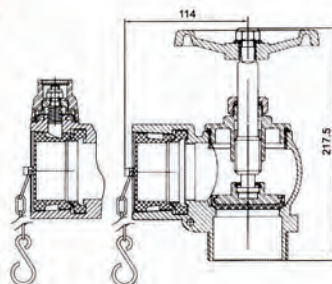
- 1. Body : Copper Alloy
- Handwheel : Grey Cast Iron or Aluminum
- 2. Inlet thread connection Std: (G , Rc , Rp) BSP , BSPT, NPT
- Outlet thread connection Std: (G , Rc , Rp) BSP , BSPT, NPT, NST
- 3. Pressure Test: 24 bar
- 4. Manufacture and certified to DIN14461-3

DN	SIZE	L	H
DN25	1"	75	105
DN40	1 1/2"	110	130
DN50	2"	135	170
DN65	2 1/2"	150	180



HC-115

**Stoz Type Fire Hydrant Landing Valve
2"**



HC-116

**Right Angle Thread Fire Hydrant Valve
2 1/2"**

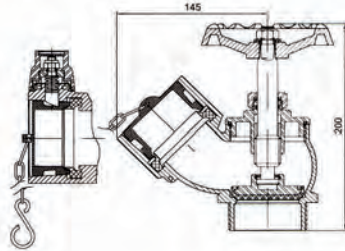
- 1. body: Copper Alloy to BS1400
- Handle wheel; Grey Cast Iron to BS1452 or Aluminum
- 2. Inlet thread connection Std: (G, Rc, rp) BSP, BSPT
- Outlet: Female instantaneous to BS336 and other connections.
- Pressure Test: 22.5 bar
- 3. Manufacture and Certified to BS5041 part 1*



ISO9001:2000

FIRE HYDRANT VALVE

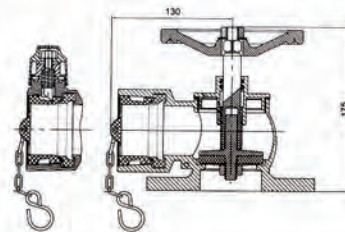
FIRE PROTECTION PRODUCTS



HC-117

Oblique Thread Fire Hydrant Valve

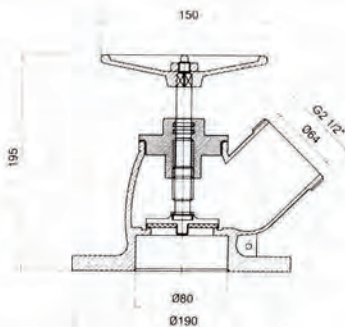
1. Body : Copper Alloy to BS 1400
Handwheel: Grey Cast Iron to BS 1452 or Aluminum
2. Inlet thread connection Std: (G , Rc , Rp) BSP , BSPT
Outlet : Female instantaneous to BS 336 and other connections
3. Pressure Test: 22.5 bar
4. Manufacture and certified to BS 5041 Part 1*



HC-118

Right Angle Flange Fire Hydrant Valve

1. Body: Copper Alloy to BS 1400
Handwheel: Grey Cast Iron to BS 1452 or Aluminum
2. Inlet Flange Connection Std: S, ANSI, JIS, DIN Standard
Outlet : Female instantaneous to BS 336 and other connections
3. Pressure Test: 22.5 bar
4. Manufacture and certified to BS 5041 Part 1*



HC-119

Oblique Fire Hydrant Valve

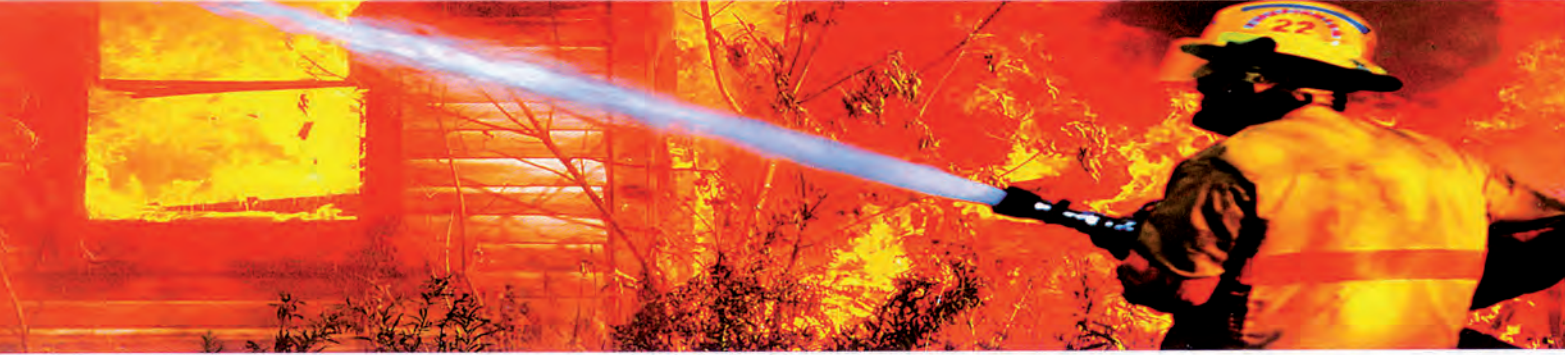
1. Body: Bronze or Brass
Handwheel: Grey Cast Iron or Aluminum
2. Inlet Flange Connection Std: S, ANSI, JIS, DIN Standard
Outlet : thread connection Std: (G , Rc , Rp) BSP, BSPT
3. Pressure Test: 24 bar



HC-120

45° John Morris Fire Hydrant
Specification: 40/50/65mm

1. Body: Copper Alloy to BS1400
Handle wheel; Grey Cast Iron to BS1452 or Aluminum
2. Coupling: BS336, STORZ, JOHN MORRIS etc
- Pressure Test: 22.5 bar
4. Manufacture and Certified to BS5041 part 1*



HC-121
Product Code Product Description

100mm R/G Dual Bottom Entry Booster-Stainless Steel 304 Grade
Supplied with 65mm pressure gauge caps or plugs.

BOTTOM ENTRY WITH ALUM STORZ
BOTTOM ENTRY WITH BI INLET



HC-122
100mm R/G Dual Rear (Back) Entry Booster-Stainless Steel 304 Grade
Supplied with 65mm pressure caps or plugs.

REAR ENTRY BOOSTER WITH ALUM STORZ INL
REAR ENTRY BOOSTER WITH BI INLET



HC-123
FEATURES
Suitable for inlet pressure up to 20bar
Reduced outlet static pressure can be set from 5 to 8bar
Outlet pressure remain constant with inlet pressure range form 7bar to 20bar
Pressure test to 30bar
Minimum Flowrate up to 1400L/M



HC-124
PRESSURE REGULATING VALVE 'E' TYPE
Inlet Size
Male BSP Thread 65mm
BS 10 Table E Glange 65mm
ANSI 150 Flange 65mm
BS 4504 PN16 65mm
ANSI 150 FF Flange 80mm



ISO9001:2000

VALVES , FDC

FIRE PROTECTION PRODUCTS



HC-125
Bronze Valve 1" and 1 1/4" with 1/2" test orifice



HC-126
Bronze Valve 1" and 1 1/4" with 1/2" test orifice



HC-127
Test and Drain Valve
1", 1 1/4", 2"



HC-128
Brass Ball Valve
1/4"-4"
CSA, NSF and UL approved



HC-129(J306)
size:
4" x 2-1/2" x 2-1/2"



HC-130(J308)
size:
4" x 2-1/2" x 2-1/2"

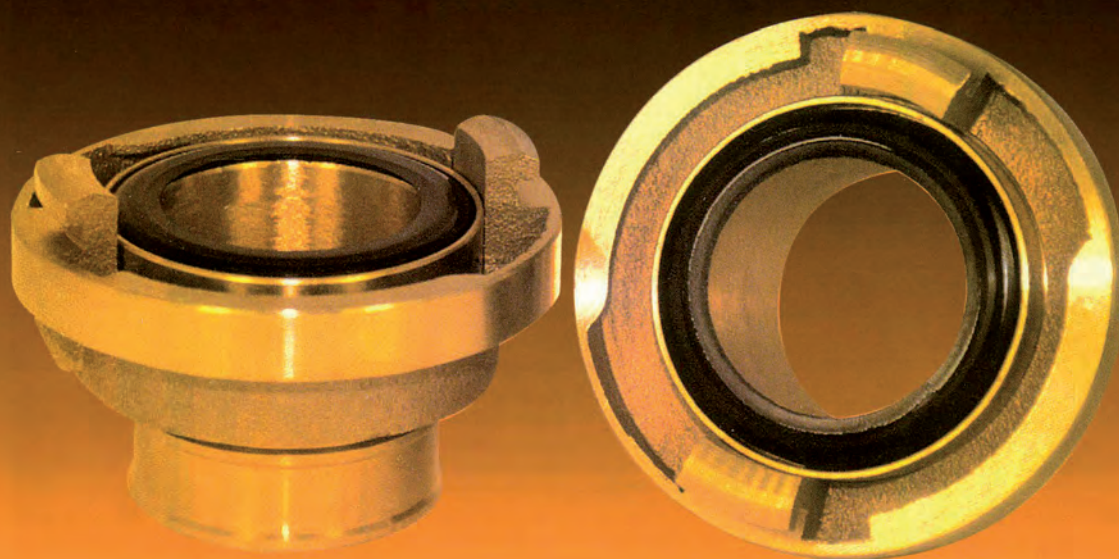


HC-131
Controlled 45° WYE Divider
1 1/2" inlet x 1" outlet
2 1/2" inlet x 1 1/2" outlet
4" inlet x 2 1/2" outlet



HC-132
Controlled 45° WYE Divider With (AL) Adaptors
1 1/2" inlet x 1" outlet
2 1/2" inlet x 1 1/2" outlet
4" inlet x 2 1/2" outlet

FIRE HOSE COUPLING SERIES





ISO9001:2000

FIRE HOSE COUPLING SERIES

FIRE PROTECTION PRODUCTS



HC-201

Storz Coupling

Material: Brass or Aluminum

Connection Method: Binding Expansion

Type: Hermaphroditic

Reference Standard: DIN 14302 DIN 14303

Specifications: 1" 1-1/2" 2" 2-1/2" 3" 4" 6"

Remarks: Aluminum Storz coupling often divides into long tail and short tail. Its production technique often uses die-casting or pouring/teeming practice. And the brass Storz coupling often uses forging or hammering.



HC-202

John Morris Coupling

Material: Brass or Aluminum

Connection Method: Binding

Type: Buckle Flush (Rapid plug-in)

Reference Standard: Bs336

Specifications: 1-1/2" x 1-1/2" 1-1/2" x 2-1/2" 2-1/2"

Remarks: Aluminum John Morris coupling often uses die-casting or pouring practice production technique. And the brass one often uses forging or hammering technique.



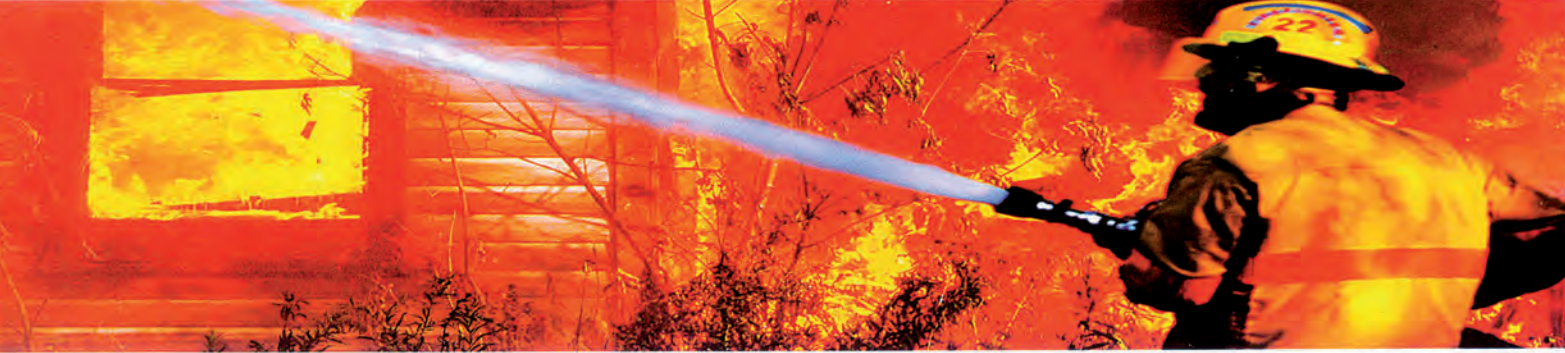
HC-203

American Coupling

Material: Brass or Aluminum

Connection Method: Expansion

Reference Standard: NFPA 1963



HC-204

Types: NH , NST , NPT, BSP

Remarks: Aluminum American coupling often divides into seam and seamless. And the brass one often uses forging technique. NH coupling is often used for forest fire control.



HC-205

Nakajima Coupling

Material: Brass or Aluminum

Connection Method: Binding

Type: Buckle

Reference Standard: JISB 9911/9912/9913 JISF-7335

Specifications: 1-1/2" 2" 2-1/2"



HC-206

Machino Coupling

Material: Brass or Aluminum

Connection Method: Binding

Type: Flush bonding (Rapid plug-in)

Reference Standard: JISB 9911/9912/9913 JISB-9911

Specifications: 1-1/2" 2" 2-1/2" 3"



ISO9001:2000

FIRE HOSE COUPLING SERIES

FIRE PROTECTION PRODUCTS



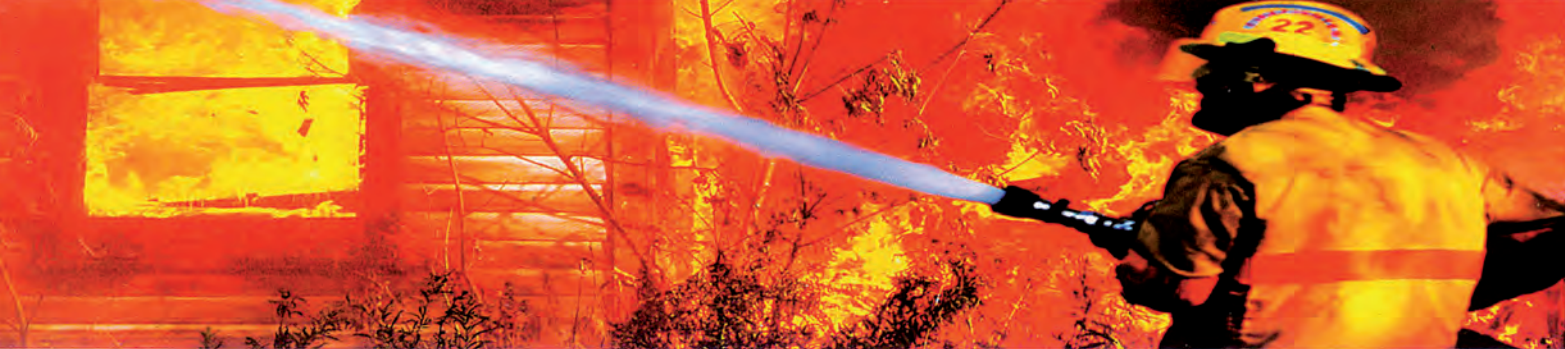
HC-207
French Coupling
Material: Brass or Aluminum
Connection Method: Binding
Type: Buckle
Reference Standard: NF-S61-704 NF-S61-705
Specifications: 1" 1-1/2" 1-3/4" 2" 2-1/2"



HC-208
Russian Coupling
Material: Brass or Aluminum
Connection Method: Binding
Type: Buckle
Reference Standard: GOST
Specifications: 2" 2-1/2" 3"



HC-209
Italy Coupling
Material: Brass or Aluminum
Connection Method: Binding
Type: Threaded
Specifications: UNI 45 UNI 70
Aluminum Italy coupling often divides into long tail and short tail.



HC-210
Canada Coupling
Material: Aluminum
Connection Method: Expansion
Type: Buckle
Reference Standard: ULC-S 511-99
Specifications: 1-1/2"
Remarks: Canada coupling is often used as forestry coupling
Cam-lock Coupling
Material: Aluminum ; Stainless Steel ; Brass
Connection Method: Binding
Types: Buckle Threaded Flush (Rapid plug-in)
Specifications: 2" 2-1/2" 3" 4" 5" 6"
Type: A+B C+E D+F



HC-211
Norwegian Coupling
Material: Brass
Connection Method: Binding
Type: Buckle
Specifications: 2" 2-1/2"
Remarks: Norwegian Coupling is often used for fire prevention on ships.



HC-212
Swedish Coupling
Material: Brass
Connection Method: Binding
Type: Hermaphroditic
Specifications: 1-1/2" 2" 2-1/2" 3"



ISO9001:2000

FIRE HOSE COUPLING SERIES

FIRE PROTECTION PRODUCTS



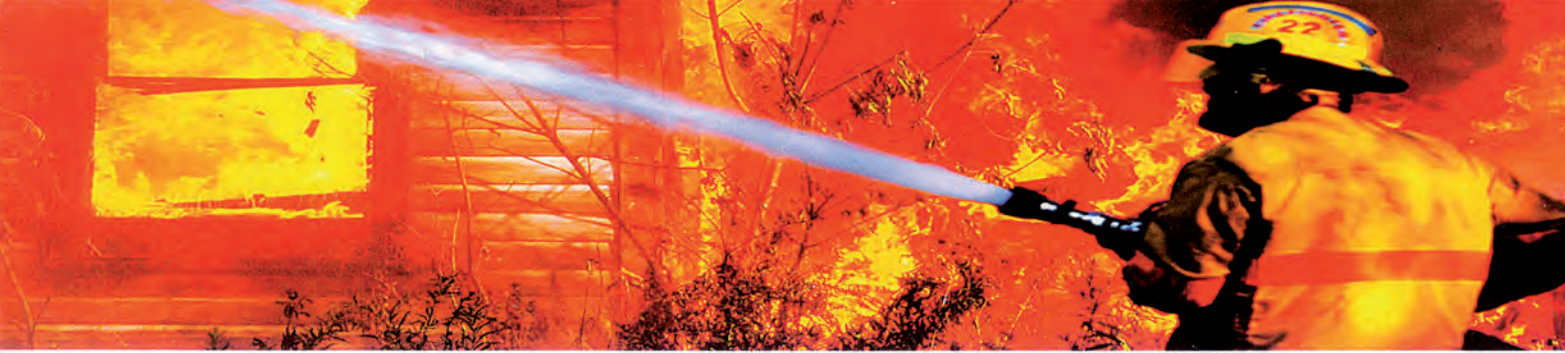
HC-213
Russian (Rolu) Coupling
Material: Brass or Aluminum
Connection Method: Binding
Type: Buckle
Reference Standard: GOST
Specifications: 1-1/2" 2" 2-1/2" 3"



HC-214
Bsp&Pf Coupling
Material: Brass or Aluminum
Connection Method: Binding
Type: Threaded
Reference Standard: BSP21
JIS B-202
Specifications: 1" 1-1/2" 2" 2-1/2"



HC-215
USA Pin Coupling
Material: Brass or Aluminum
Connection Method: Binding
Reference Standard: NH(NST)
Specifications: 1" 1-1/2" 2" 2-1/2"



HC-216
Brass Hydrant Adapters With Pin Lug
1 1/2" Female x 1 1/2" Male
2 1/2" Female x 2 1/2" Male
2 1/2" Female x 2" Male
3" Female x 2 1/2" Male



HC-217
Brass Female to Male Hex Adapter
1 1/2" Female x 2" Male
1 1/2" Female x 2 1/2" Male
2 1/2" Female x 3" Male



HC-218
Brass Female to Male Hex Nipples
1" Female x 3/4" Male
1" Female x 1" Male
1 1/2" Female x 1 1/2" Male
2 1/2" Female x 2" Male
2 1/2" Female x 2 1/2" Male



HC-219
Brass Plug with Chain-Pin Lug
1 1/2", 2 1/2", 3"



HC-220
Brass Double Female Swivel With Pin Lug
1 1/2", 2 1/2"



HC-221
Brass Male Swivel Adapters With Pin Lug
1 1/2" Female x 1 1/2" Male
2 1/2" Female x 1 1/2" Male
2 1/2" Female x 2" Male
2 1/2" Female x 2 1/2" Male
2 1/2" Female x 3" Male



HC-222
Brass Double Male Hex Nipple
1 1/2", 2 1/2"



HC-223
Brass Double Male Pin Lug
1 1/2", 2 1/2"



ISO9001:2000

FIRE HOSE COUPLING SERIES

FIRE PROTECTION PRODUCTS



HC-224
Brass Expansion Coupling Pin Lug Type
1-1/2"
2"NST
2-1/2"



HC-225
Brass Expansion Coupling Rocker Type
1-1/2" NPSH
2-1/2"



HC-226
Brass Cap With Chain-Pin Lug
1 1/2", 2 1/2", 4" 4-1/2"



HC-227
Storz Couplings
Aluminium Alloy/Brass-Forged
Storz25-DIN14306
Storz52-DIN14307
Storz65-NEN3374
Storz75-DIN14308



HC-228
Storz Male
Aluminium Alloy/Brass-Forged
Storz25-DIN14306
Storz52-DIN14307
Storz65-NEN3374
Storz75-DIN14308



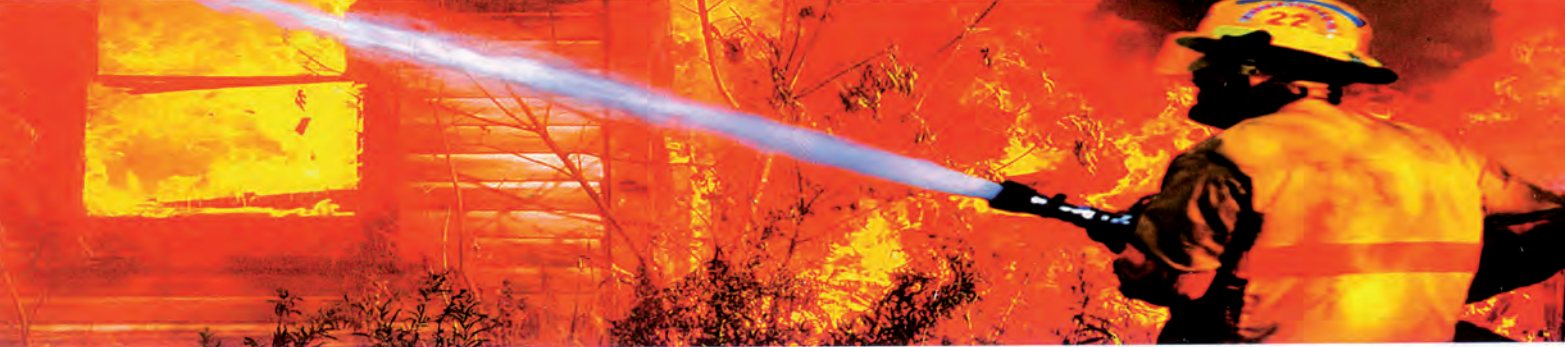
HC-229
Storz Reducers
Aluminium Alloy/Brass-Forged
Storz25-DIN14306
Storz52-DIN14307
Storz65-NEN3374
Storz75-DIN14308



HC-230
Storz Female
Aluminium Alloy/Brass-Forged
Storz25-DIN14306
Storz52-DIN14307
Storz65-NEN3374
Storz75-DIN14308



HC-231
Storz Cap
Aluminium Alloy/Brass-Forged
Storz25-DIN14306
Storz52-DIN14307
Storz65-NEN3374
Storz75-DIN14308



HC-232
American Nozzle

INTERNAL VALVE FIRE HYDRANT



HC-233

This hydrant is operated by using a hydrant wrench to turn the operating mechanism at the top of the hydrant which will open the valve seat. It is available in two sizes 4" and 6"

SPECIFICATION

Body : Cast Iron
Valve seat : Nylon
Valve seat ring : Bronze
Test Pressure : 20 Bar (300 psi)
working Pressure: 10 Bar (145 psi)

Outlet	Inlet
2× (2-1/2") male thread, 1× (4") male thread	4" PN16 BS 4504
2× (2-1/2") control valve with female BS instantaneous outlet, 1× (4") male thread	4" PN16 BS 4504
2× (2-1/2") control valve with female BS instantaneous outlet, 1× (4") monitor unit	4" PN16 BS 4504
2× (2-1/2") male thread, 1× (4") male thread	6" ANSI 150RF
2× (2-1/2") control valve with female BS instantaneous outlet, 1× (4") male thread	6" ANSI 150RF

Refer to landing valve section for type of control valver Extension pipe available upon request

TRAFFIC IMPACT HYDRANT

The main valve will remain tightly closed even if the hydrant is accidentally damaged by traffic impact.

Outlet	Inlet
2× (2-1/2") control valve with female BS instantaneous outlet, 1× (4") male thread	6" ANSI 150

HC-234

FIRE HOSE, TYPE 1

Internal rubber lining combined with closely woven polyester fibre. Direct vulcanisation, high adhesion between jacket and lining. Standard length: 30m Available colour: Red or White Manufactured to BS 6391



WORKING PRESSURE 10 BAR (145 PSI) / BURST PRESSURE 30 BAR (435 PSI)	
Size	Colour
2-1/2" (65mm)	White
2 1/2" (65mm) C/W Coupling	White
2" (50mm)	White
1-3/4" (45mm)	White
1-1/2" (38mm)	White
2-1/2" (65mm)	Red
2" (50mm)	Red
1-3/4" (45mm)	Red
1-1/2" (38mm)	Red

WORKING PRESSURE 16 BAR (232 PSI) / BURST PRESSURE 48 BAR (696 PSI)	
Size	Colour
2-1/2" (65mm)	White
2" (50mm)	White
1-3/4" (45mm)	White
1-1/2" (38mm)	White
2-1/2" (65mm)	Red
2" (50mm)	Red
1-3/4" (45mm)	Red
1-1/2" (38mm)	Red